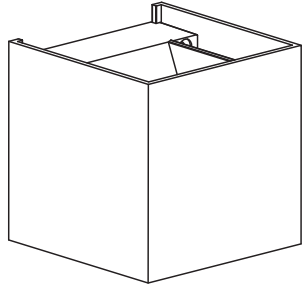
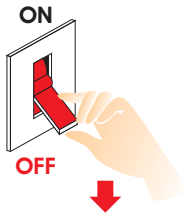


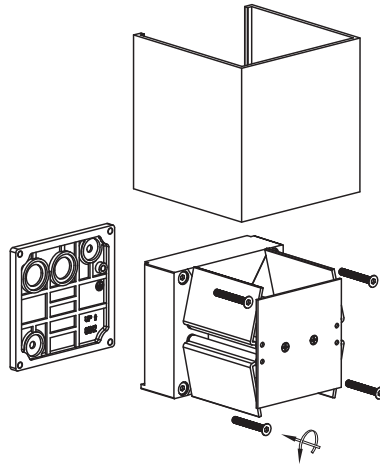
# EDGE

## Installation Manual

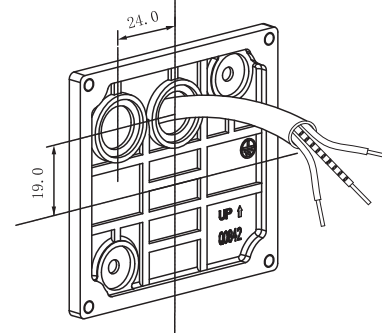
**Attention**  
Before any maintenance  
switch off the main power.



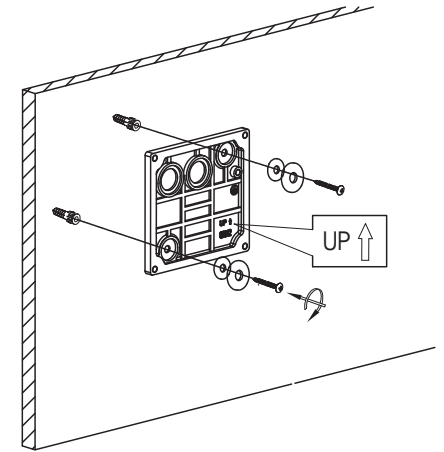
1



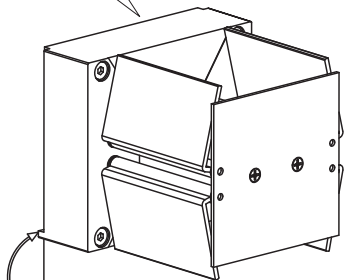
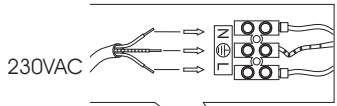
2



3

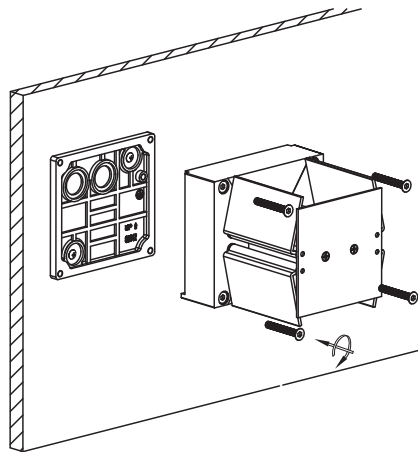


4

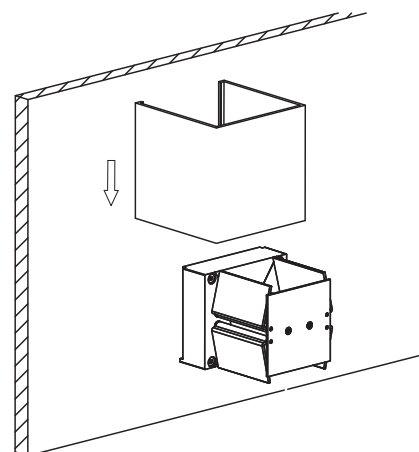


Pls install the base in the  
right direction like this.

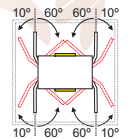
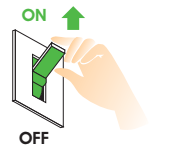
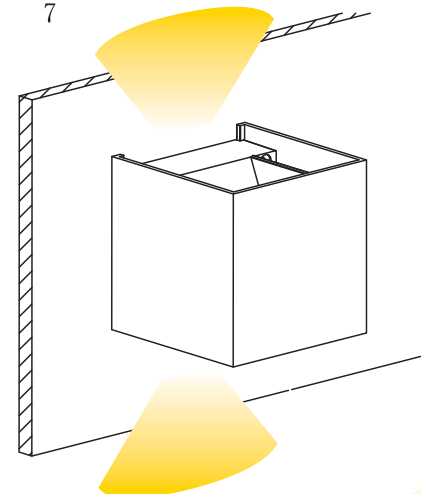
5



6



7



Adjustable angle

